

MICHAEL BERMAN

BOND

538

Convertible Post Lantern

1-100W Max.

Bulb Type: A

Direct Wire

Modern Brass Finish

Clear Glass Shade Panels

UL Rated for Wet Locations

Ships with a 3.125" Dia. Post Mount and a 7.5"

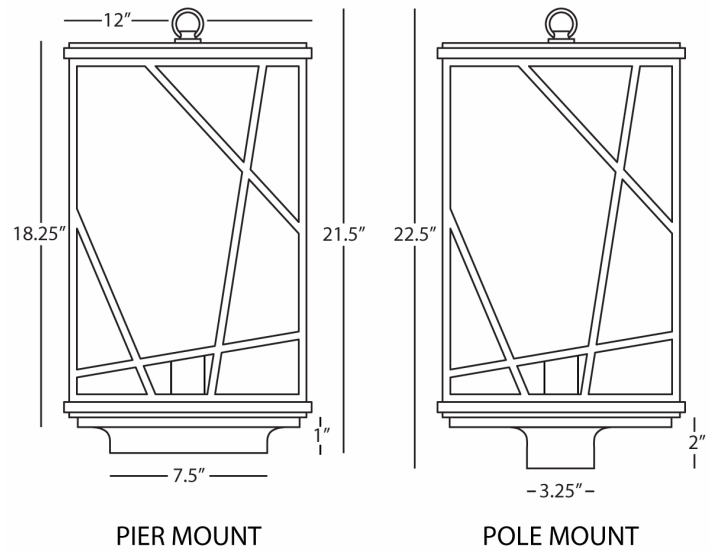
Dia. Pier Mount



FINISH OPTIONS:

548 - Deep Patina Bronze

558 - Blackened Nickel



**** Available for Quick SHIP ****