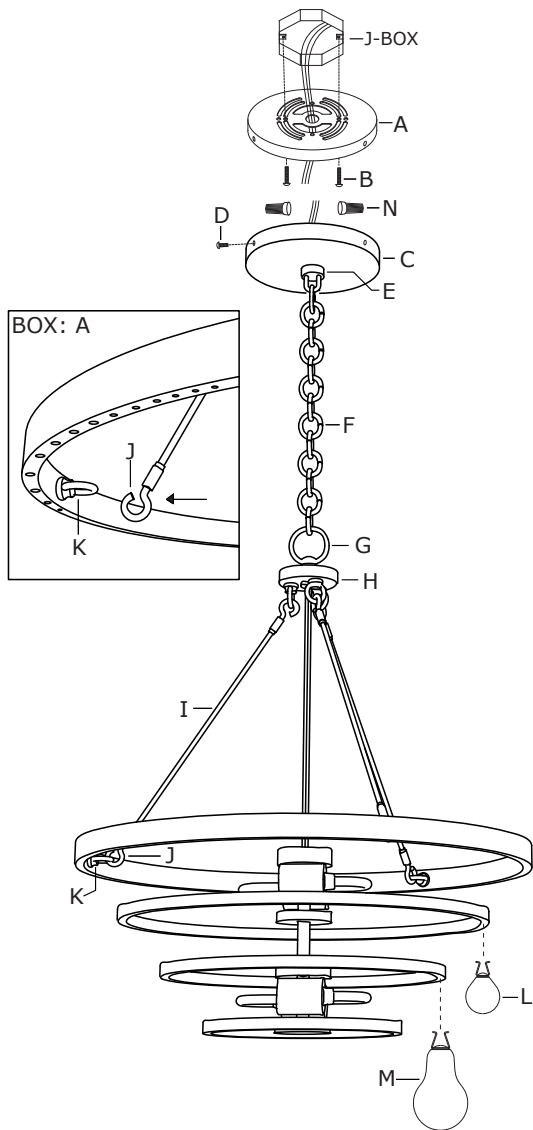


ASSEMBLY INSTRUCTIONS FOR YOUR BLING CHANDELIER

IMPORTANT SAFETY INSTRUCTIONS:

- *These instructions are provided for your safety. It is very important that they are read completely before beginning the installation of your fixture.
- *DIRECT WIRE FIXTURES: WE STRONGLY RECOMMEND INSTALLATION BY A LICENSED ELECTRICIAN.
- *Turn the power to fixture off before replacing bulbs, making sure the bulbs have sufficient time to cool down. Do not subject the fixture to any shock while lit as shattering of bulbs may result.
- *Review all instruction pages before installing the fixture.



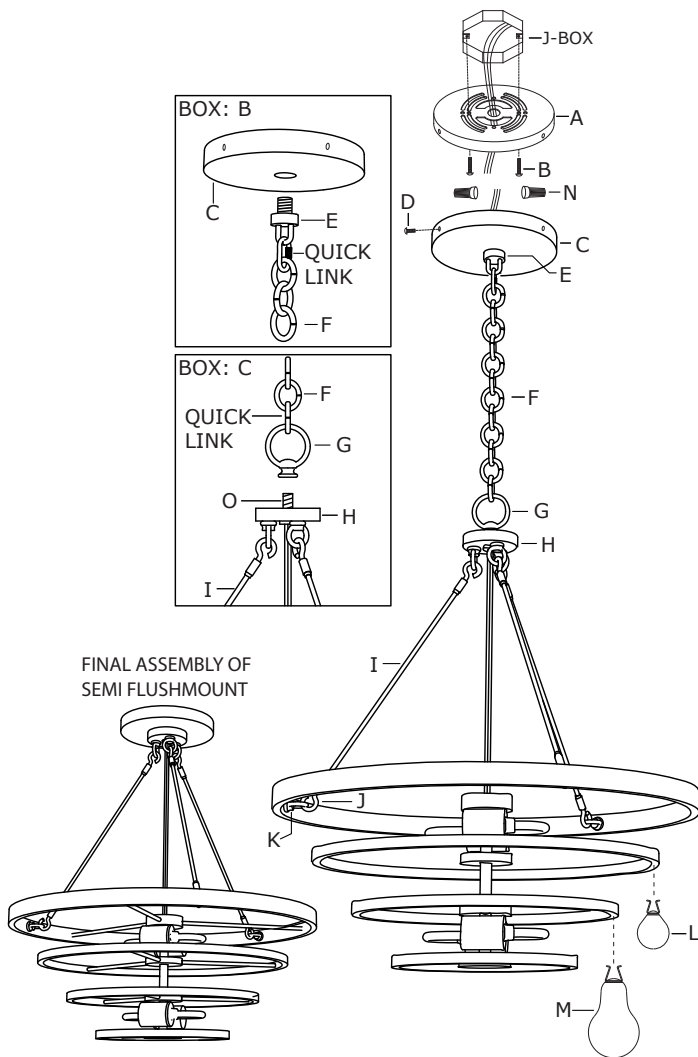
PENDANT ASSEMBLY INSTRUCTIONS

1. SHUT OFF THE MAIN ELECTRICAL SUPPLY FROM THE MAIN FUSE BOX/CIRCUIT BREAKER.
2. Remove all parts from carton. Do not throw away any parts.
3. Remove screws (D) from canopy (C). Remove mounting plate (A) from canopy (C).
4. Guide wires from "J BOX" through center hole in mounting plate (A).
5. Affix mounting plate (A) to "J BOX" using screws (B) provided.
6. Measure desired length of fixture to hang.
7. Add/remove chain links (F) to reach desired drop. Once a desired drop has been reached, guide wiring from housing (H) through chain links (F). Guide wiring through center hole in loop (E) and canopy (C).
8. Connect hooks (J) (at the end of arms (I)) to loops (K) attached to the top ring of the fixture. See "BOX: A" for illustration.
9. Lift fixture to "J BOX" and make proper electrical connections.
10. Connect the bare copper/silver wire from the fixture to the ground wire in outlet box. Connect the black wire of the fixture (or smooth side of the wire) to the black wire in the outlet box using wire nuts (N). Connect the white wire of the fixture (or rough side of the wire) to the white wire in the outlet box using wire nuts (N).
11. Place canopy (C) over mounting plate (A). Align holes in canopy (C) with threaded holes in mounting plate (A). Affix canopy (C) to mounting plate (A) using screws (D).
12. Install four (4) 60W max. Type B11 medium base torpedo bulbs.

GLASS DROP INSTALLATION:

- **It is recommended to use needle nose pliers (not included) when install the small glass drops (L).**
 - **Recommended by the vendor to install the glass drops (L & M) on the bottom ring first and continue upwards to the top ring.**
1. Remove packaging from glass drops. NOTE: The fixture is designed to have alternating size glass drops (L & M) on each ring.
2. Start with a large glass drop (M). Notice the metal connection attached to each glass drop (L & M) has a large and small side. Please see image at the bottom of page 2 for reference. Insert the larger connection side into a hole in the ring. With your index finger guide the smaller connection side into the hole securing glass drop (M) to the ring. NOTE: A small amount of adjustment maybe needed for each glass drop (L & M) to hang straight.
 3. Needle nose pliers are recommended when installing small glass drops (L).
 4. Locate the large and small connection side of the small glass drop (L). Firmly hold the vertical section (smaller connection side) of the metal connection with the needle nose pliers (see images on page 2 for reference). Insert the large connection side (same procedure as the large glass drop (M)) into the hole on the left side of installed large glass drop (M). Using the pliers insert the small connection side into the hole securing glass drop (L) to the ring.
 5. Repeat steps 2 and 4 for each ring until glass drops (L & M) are installed.

SEMI FLUSHMOUNT ASSEMBLY INSTRUCTIONS



1. SHUT OFF THE MAIN ELECTRICAL SUPPLY FROM THE MAIN FUSE BOX/CIRCUIT BREAKER.
2. Remove all parts from carton. Do not throw away any parts.
3. Remove screws (D) from canopy (C). Remove mounting plate (A) from canopy (C).
4. Guide wires from "J BOX" through center hole in mounting plate (A).
5. Affix mounting plate (A) to "J BOX" using screws (B) provided.
6. Remove quick links located at each end of the chain (F) by unthreading the cylinder on the quick link to an open position. Remove chain (F) from fixture.
7. Unthread loop (G) from housing (H) to expose threaded nipple (O). Reference BOX C.
8. Unthread nut inside canopy (C) from threaded nipple attached to loop (E). Reference BOX B.
9. Guide wiring from housing (H) through center hole in canopy (C). Guide canopy (C) down wiring and let rest on housing (H). Center canopy (C) on housing (H). Affix parts together by threading nut (removed from loop (E)) onto threaded nipple (O).
10. Connect hooks (J) (at the end of arms (I)) to loops (K) attached to the top ring of the fixture. See "BOX: A" for illustration on page 1.
11. Lift fixture to "J BOX" and make proper electrical connections. Follow steps 10-12 on page 1 to complete installation..

GLASS DROP INSTALLATION

*Follow glass drop installation instruction on page 1.



CARE INSTRUCTIONS:

*To clean, use a soft cloth only. DO NOT use any chemical or abrasive cleaners.

*White gloves have been shipped with each fixture . Please wear gloves to keep the fixture clean during installation.