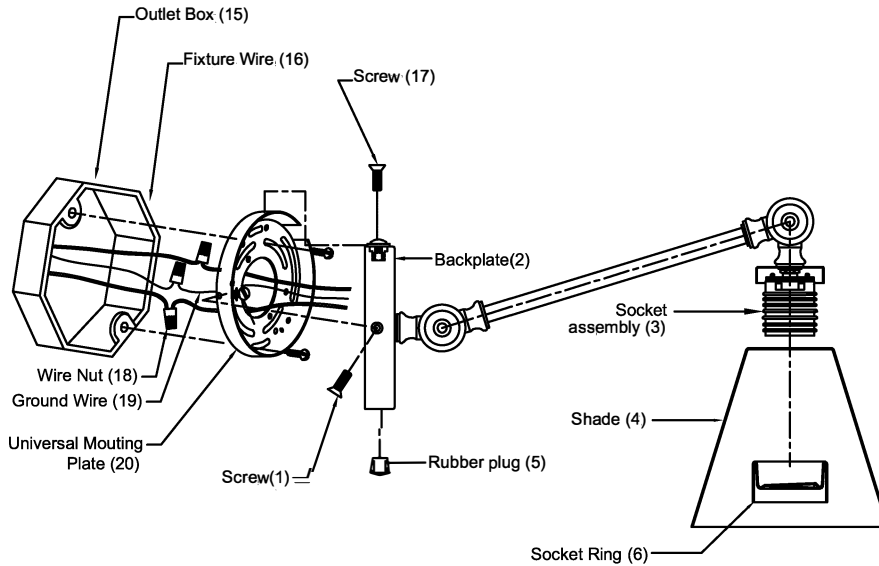


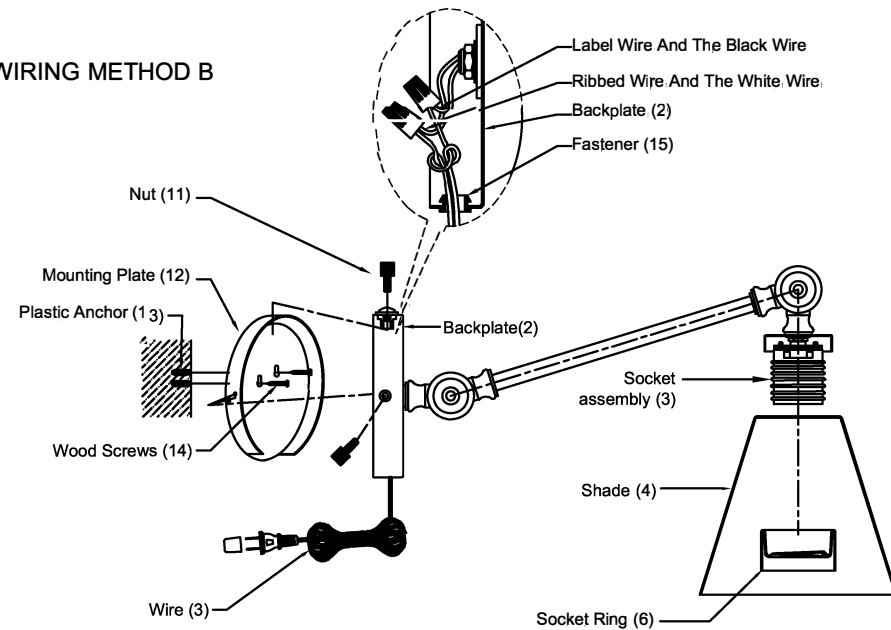
WIRING METHOD A



ASSEMBLY INSTRUCTIONS
WIRE METHOD A

1. Carefully unpack and identify all parts referring to illustration for parts identification.
2. Turn the power to the installation point OFF.
3. Secure the universal mounting plate (20) to the outlet box (15) using screw(17).
4. Using the wire nut (18) to connect fixture wires and supply wires, black to black, white to white, and ground to copper/bare.
5. Install the backplate (2) to the wall using the screw (1) .
6. Install the shade (4) over the socket (3) and secure with the socket ring(6).
7. Insert the rubber plug (5) into the hole of the backplate (2).
8. Install a proper bulb (not included) into socket referring to the markings and/or labels on the fixture for maximum wattage.
9. Restore power to the installation point and retain this sheet for future reference.

WIRING METHOD B



WIRE METHOD B

1. Carefully unpack and identify all parts referring to illustration for parts identification.
2. Turn the power to the installation point OFF.
3. Refer to the additional installation instructions included with the product for wiring and installation.
4. Install the shade (4) over the socket (3) and secure with socket ring (6).
5. Install a proper bulb (not included) into the socket referring to the markings and/or labels on the fixture for maximum wattage.
6. Place the mounting plate (12) on the wall, and mark the wall at the 2 key holes position for installation.
7. Drill holes at the positions where marked at the above step and insert the plastic anchors (13).
8. Install the mounting plate (12) to the wall by threading the wood screws (14) into the plastic anchors (13).
9. Connect the label wire and the black wire together. Connect the ribbed wire and the white wire together. Use fastener (15) to fix the wires.
10. Install the backplate (2) to the wall using the nut (11).
11. Restore power to the installation point and retain this sheet for future reference.